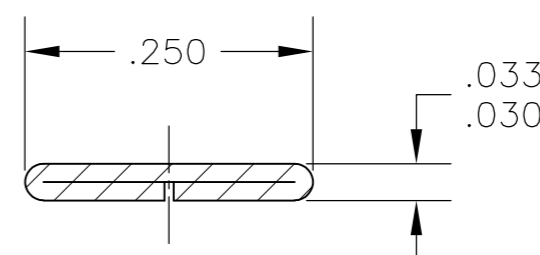
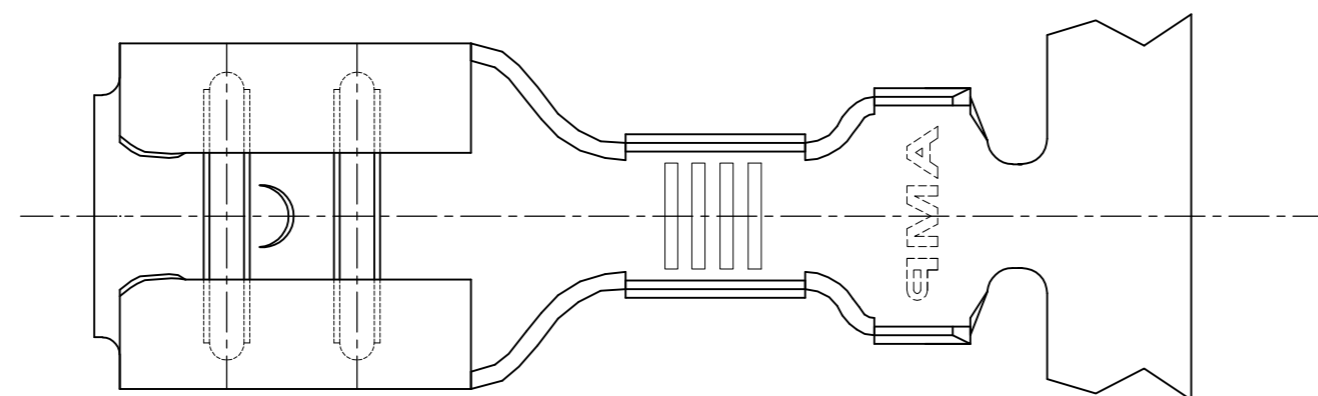


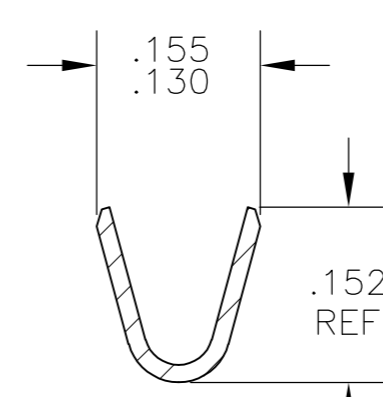
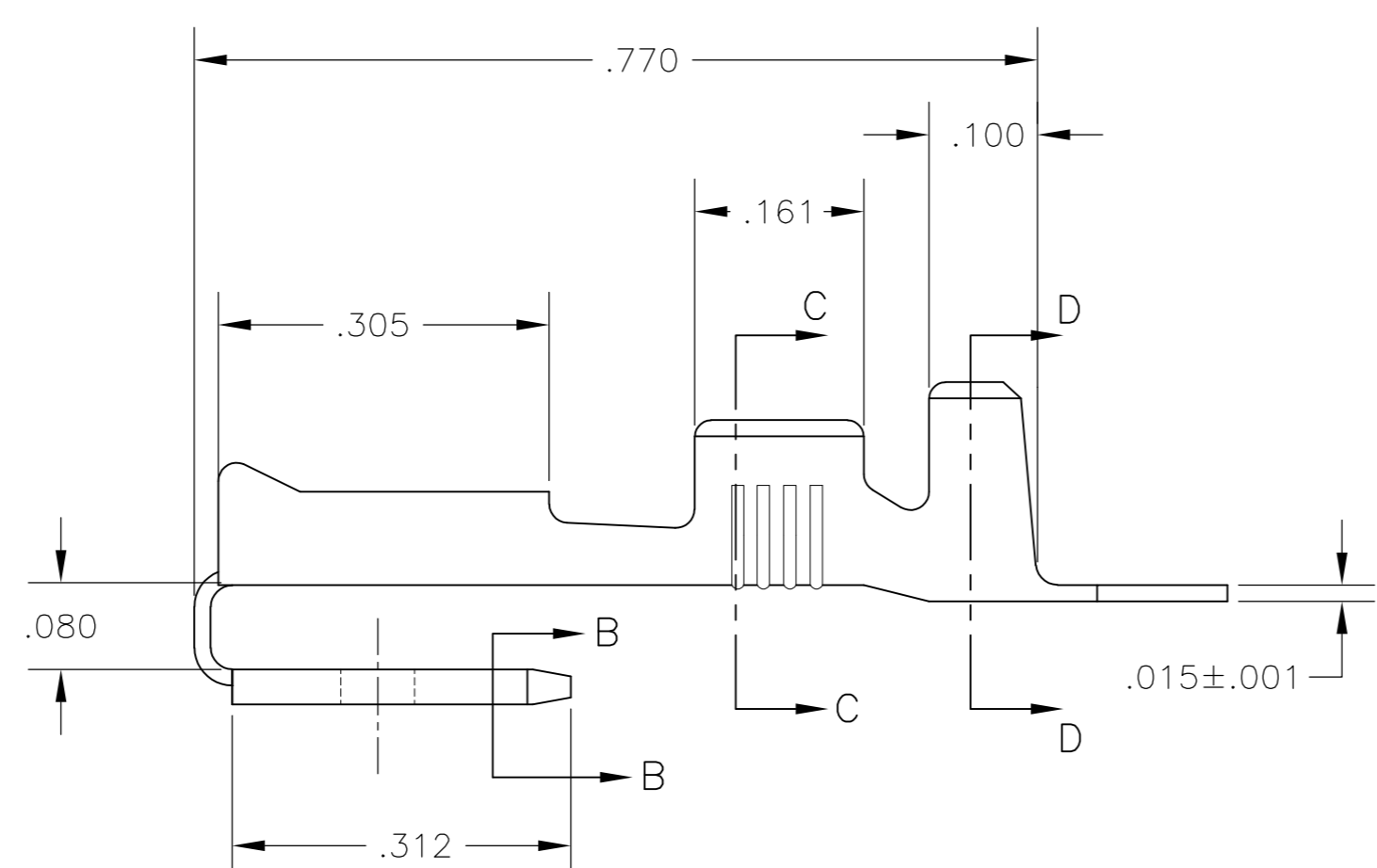
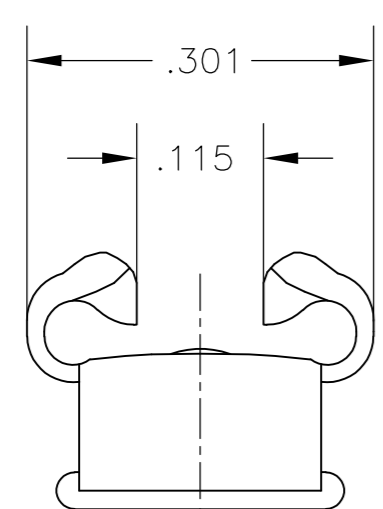
THIS DRAWING IS UNPUBLISHED. RELEASED FOR PUBLICATION
 © COPYRIGHT - R3 ALL RIGHTS RESERVED.

LOC	DIST	REVISIONS			
P	LTR	DESCRIPTION	DATE	DWN	APVD
AF	50				
		T	REVISED PER ECR-12-013459	28NOV2012	KH PD

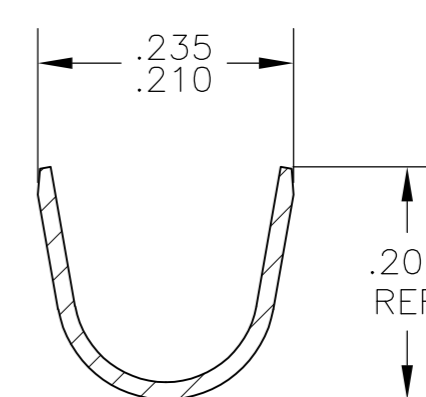
- 1 CONTINUOUS STRIP ON REELS
- 2 MATING TAB THK IS $.032 \pm .001$.
- 3 WIRE SIZE IS #18-#14 AWG
- 4 INSULATION RANGE IS $.120-.170$ DIA.



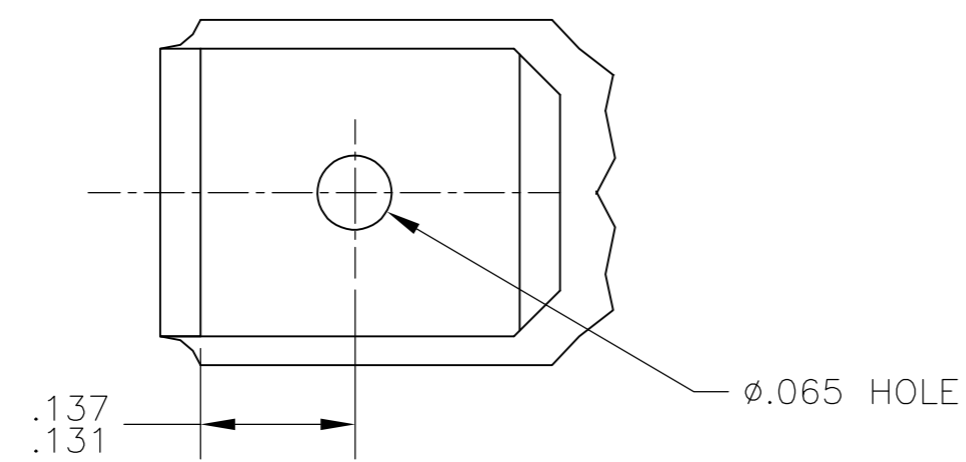
SECTION B-B



SECTION C-C



SECTION D-D



— OBSOLETE	SILVER PLATE	61944-4
— OBSOLETE	PRE TIN PLATE	61944-3
	TIN	61944-2
	—	61944-1
	FINISH	PART NO.

THIS DRAWING IS A CONTROLLED DOCUMENT.		DWN	JR RUTH	26JUL2002	 TE Connectivity
DIMENSIONS: INCHES		CHK	P DESANTIS	26JUL02	
TOLERANCES UNLESS OTHERWISE SPECIFIED:		APVD	P DESANTIS	26JUL02	
0 PLC ± - 1 PLC ± - 2 PLC ± - 3 PLC ± .015 4 PLC ± - ANGLES ± -		PRODUCT SPEC	NAME		
MATERIAL	BRASS	FINISH	SEE TABLE		APPLICATION SPEC 114-2082
CUSTOMER DRAWING		WEIGHT	-		SIZE A2 CAGE CODE 00779 DRAWING NO. 61944
		SCALE	6:1		RESTRICTED TO SHEET 1 of 1 REV T